

SINGER
111W106

Form 2676w

(940)

Printed in U. S. A.

SINGER

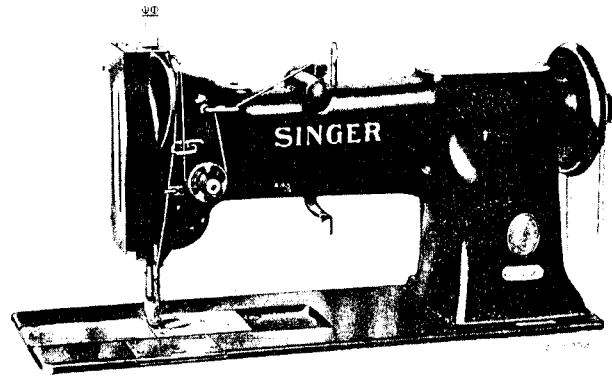
III w 106



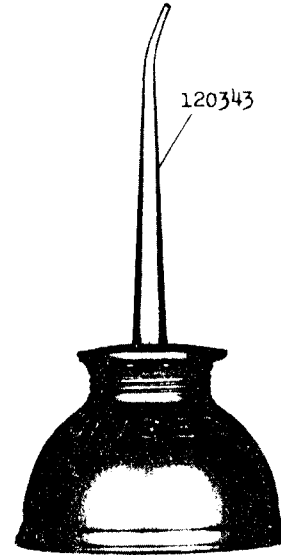
THE SINGER MANUFACTURING COMPANY

From the library of: Diamond Needle Corp

13067 - 1/2



120342



225498



225497



41400



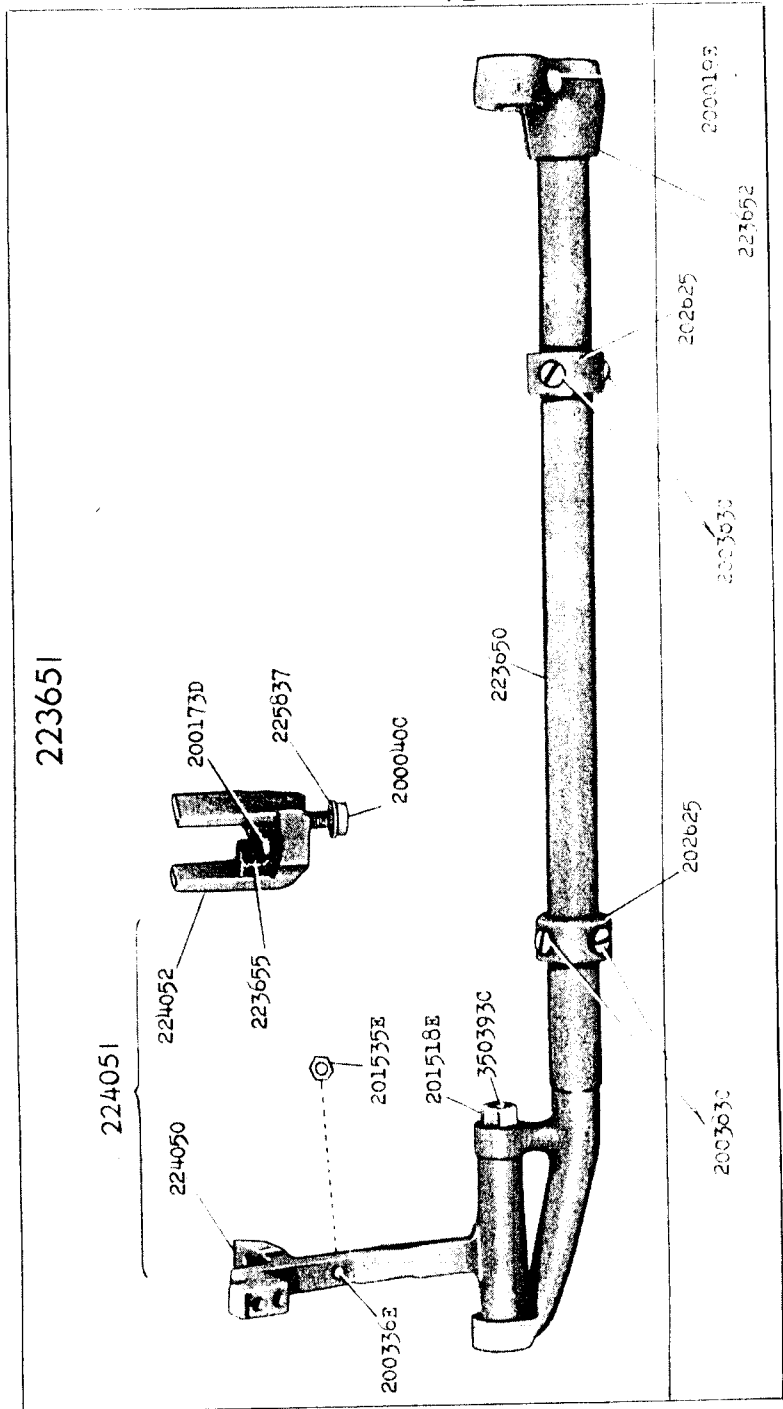
225554



From the library of: Diamond Needle Corp

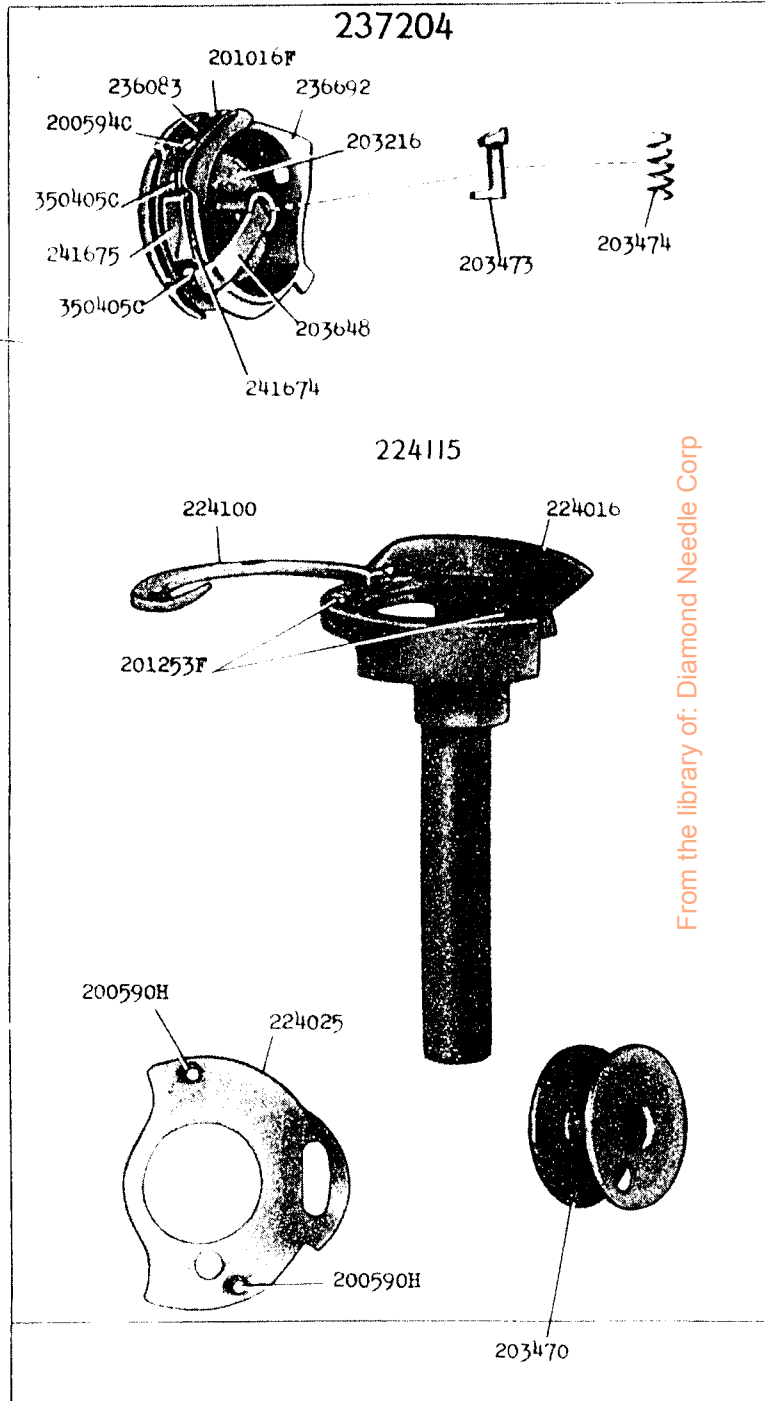
Copyright, U. S. A., 1934, 1939 and 1940
by The Singer Manufacturing Co.
All Rights Reserved for all Countries

16245 - 1/2



16247

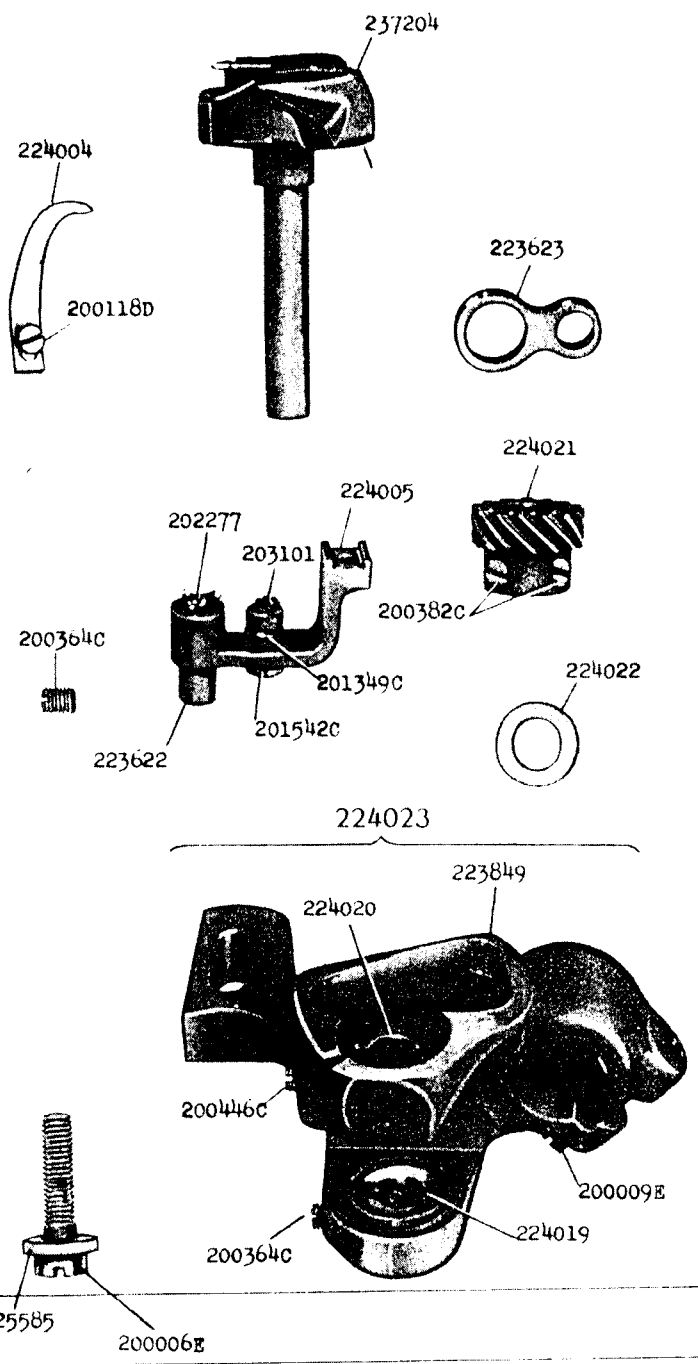
237204



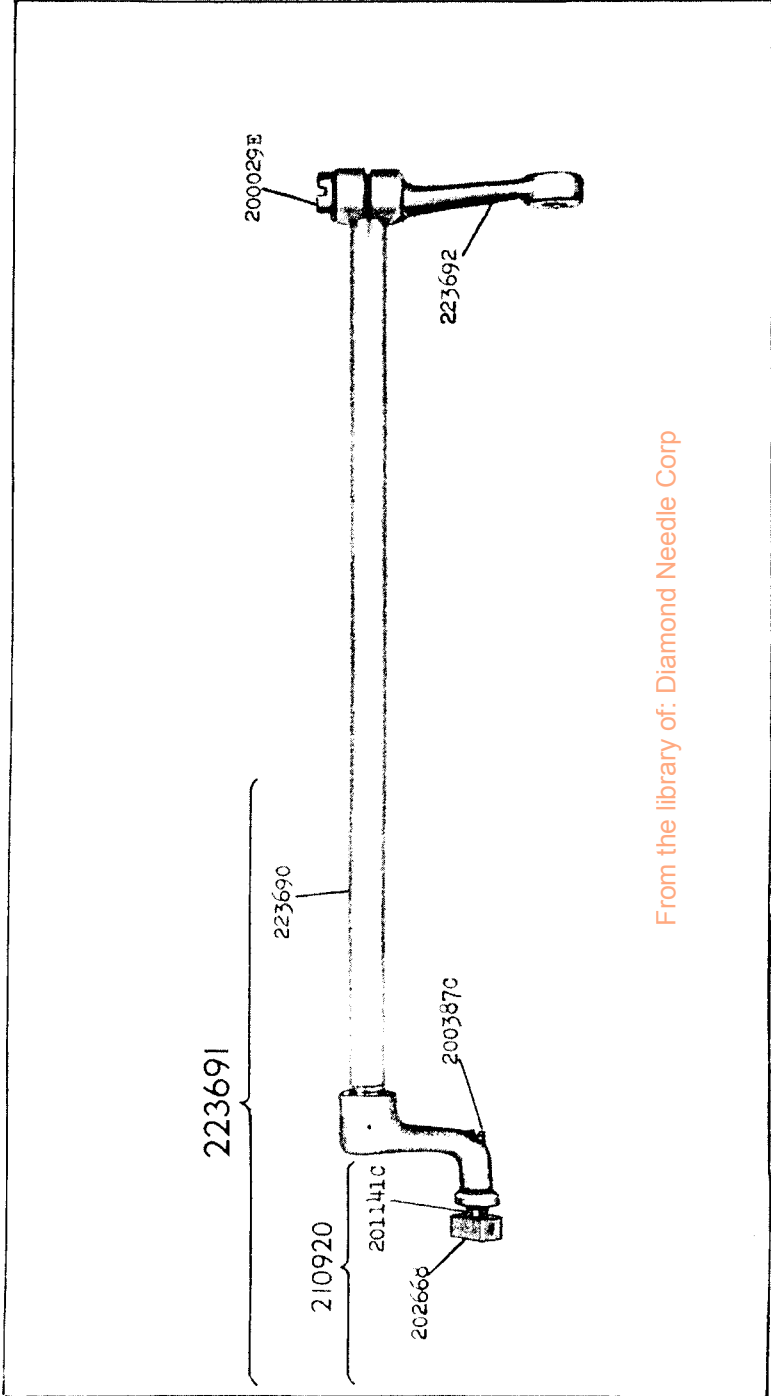
From the library of: Diamond Needle Corp

16248 - 2/3

237193

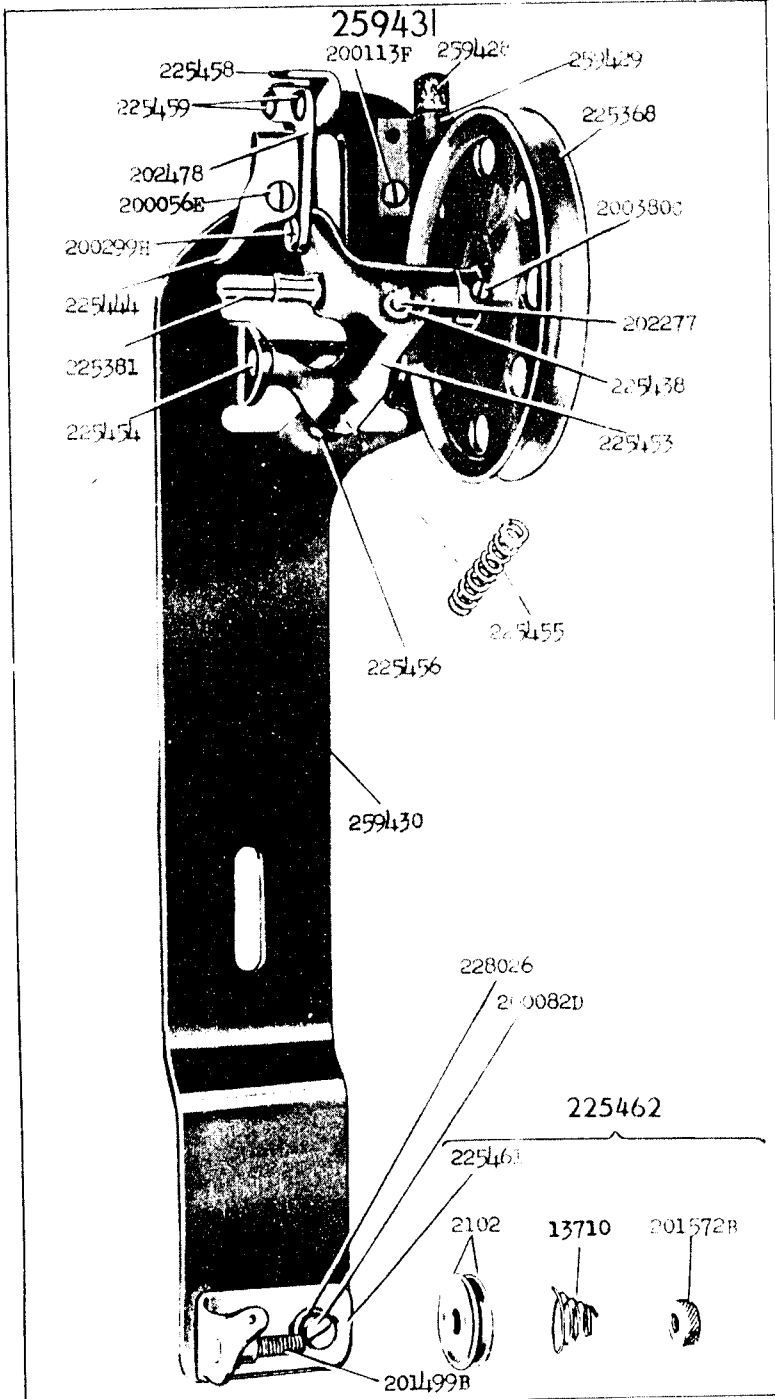


16609 - 1/2

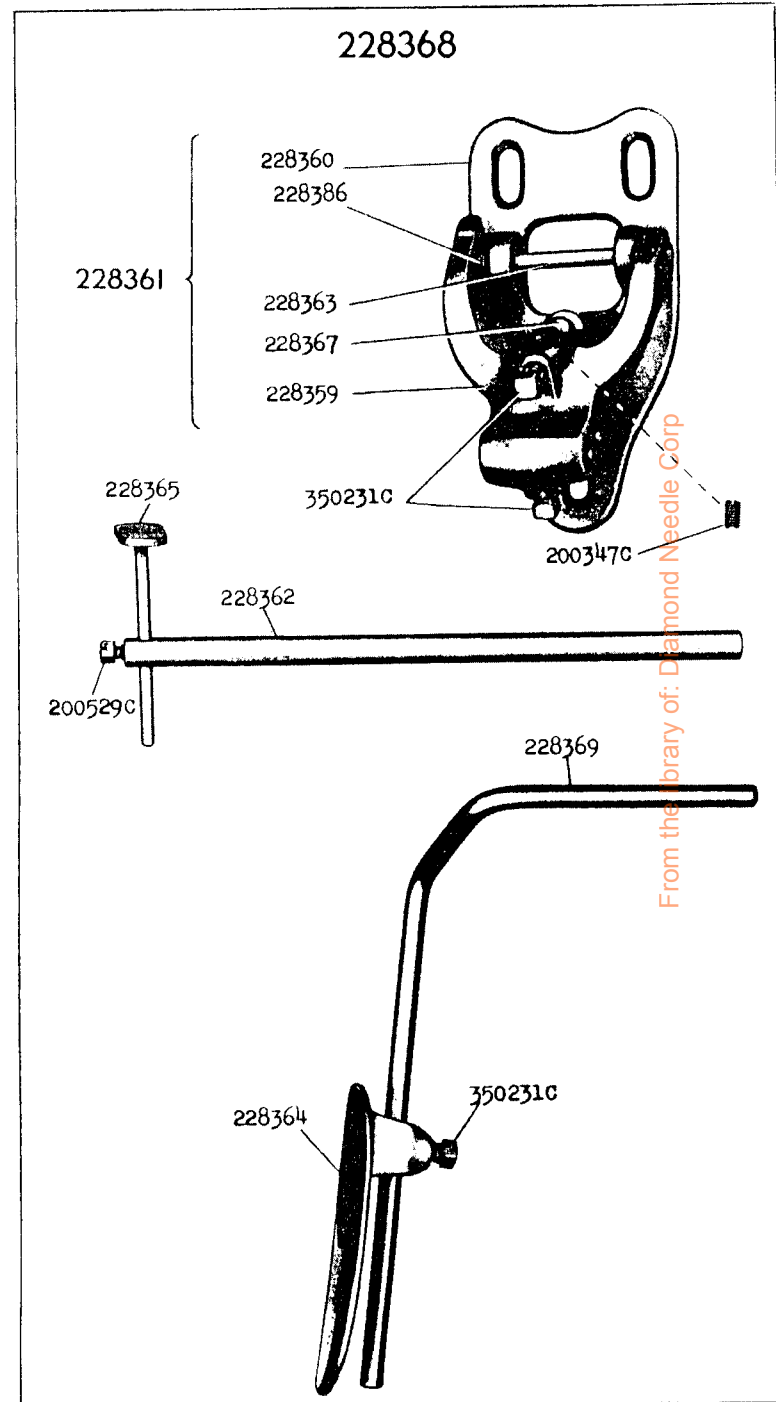


From the library of: Diamond Needle Corp

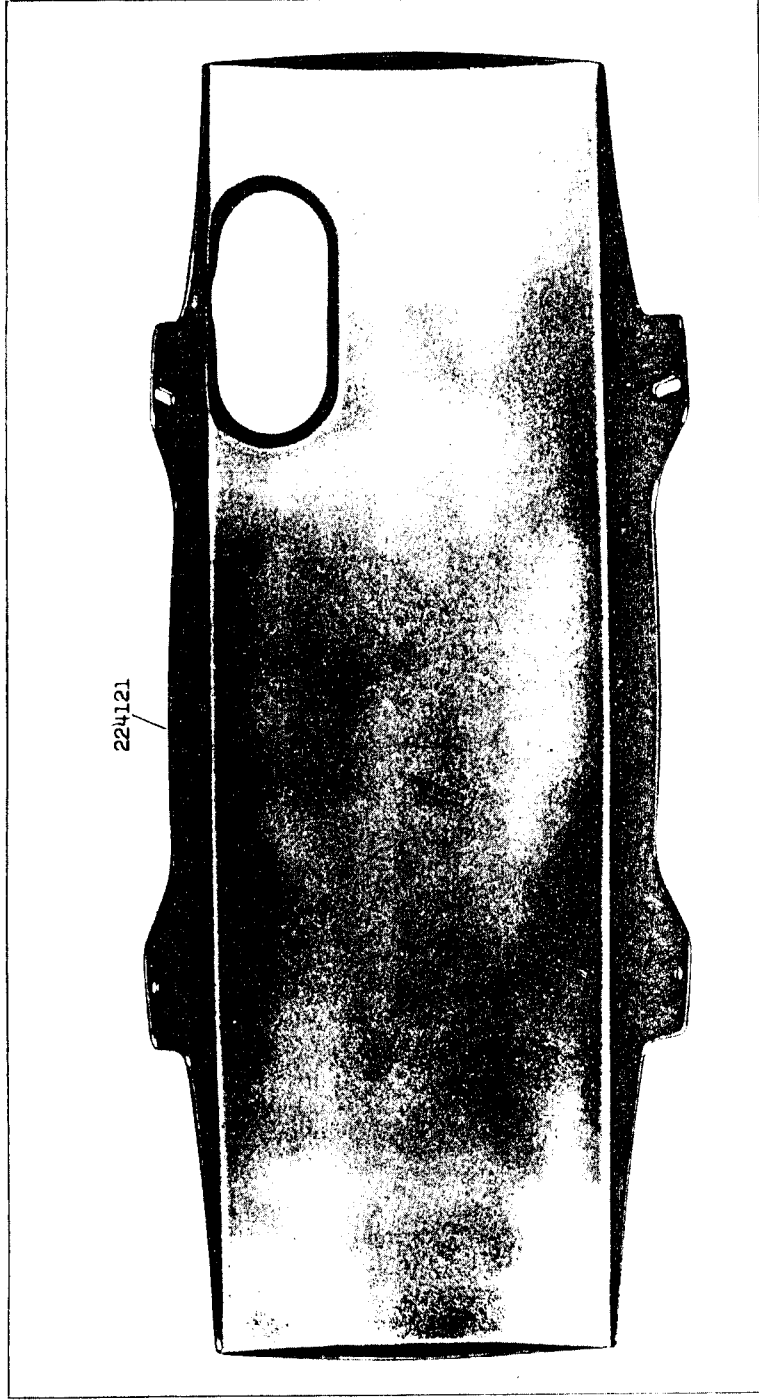
16615 - 1/2



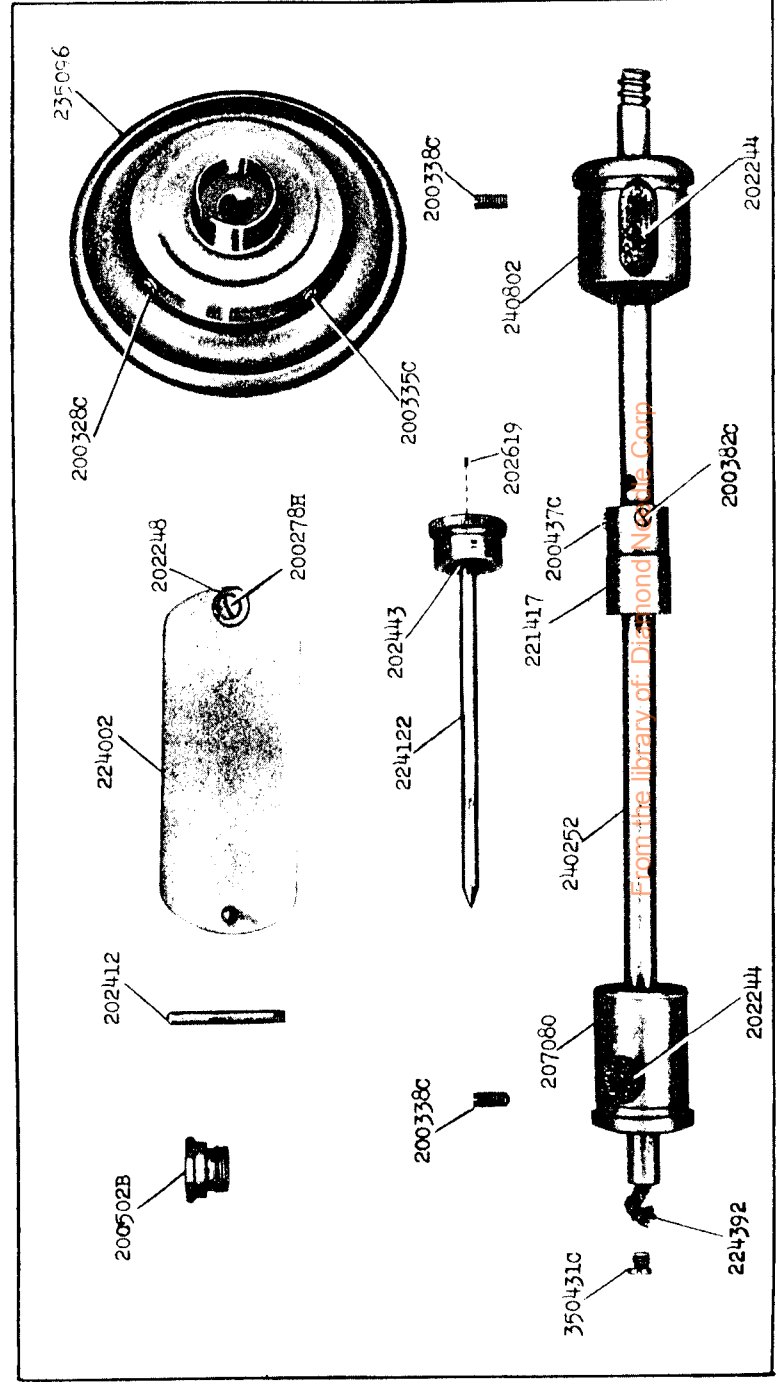
16643 - 3/8



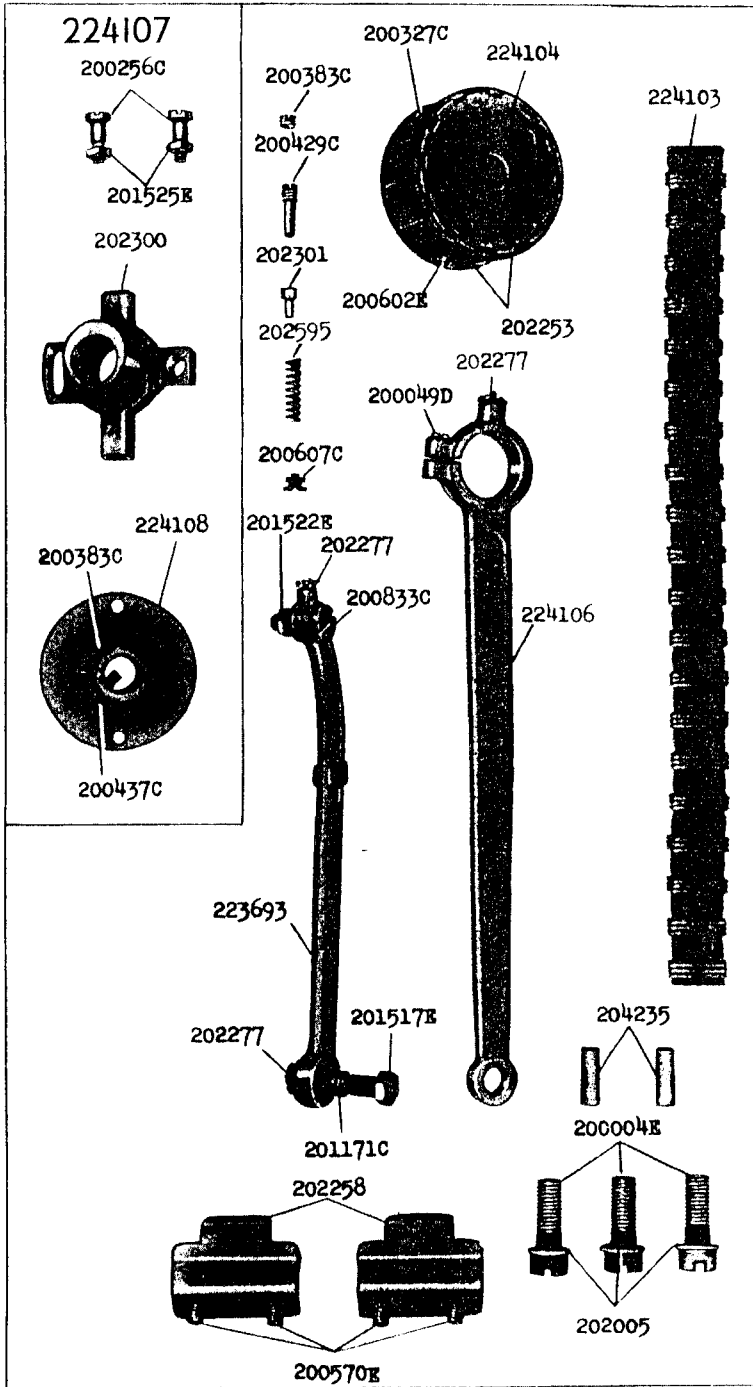
16644 - 1/3



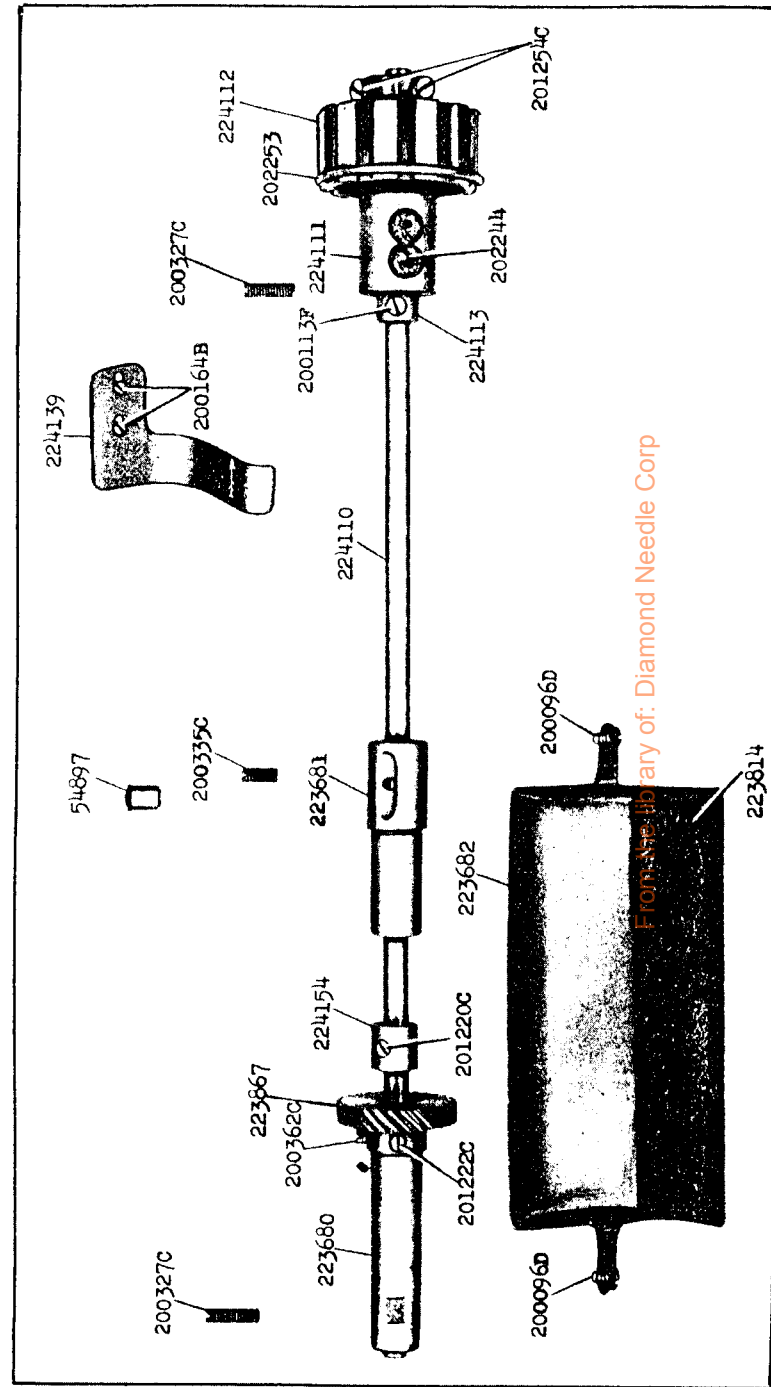
16645 - 3/8



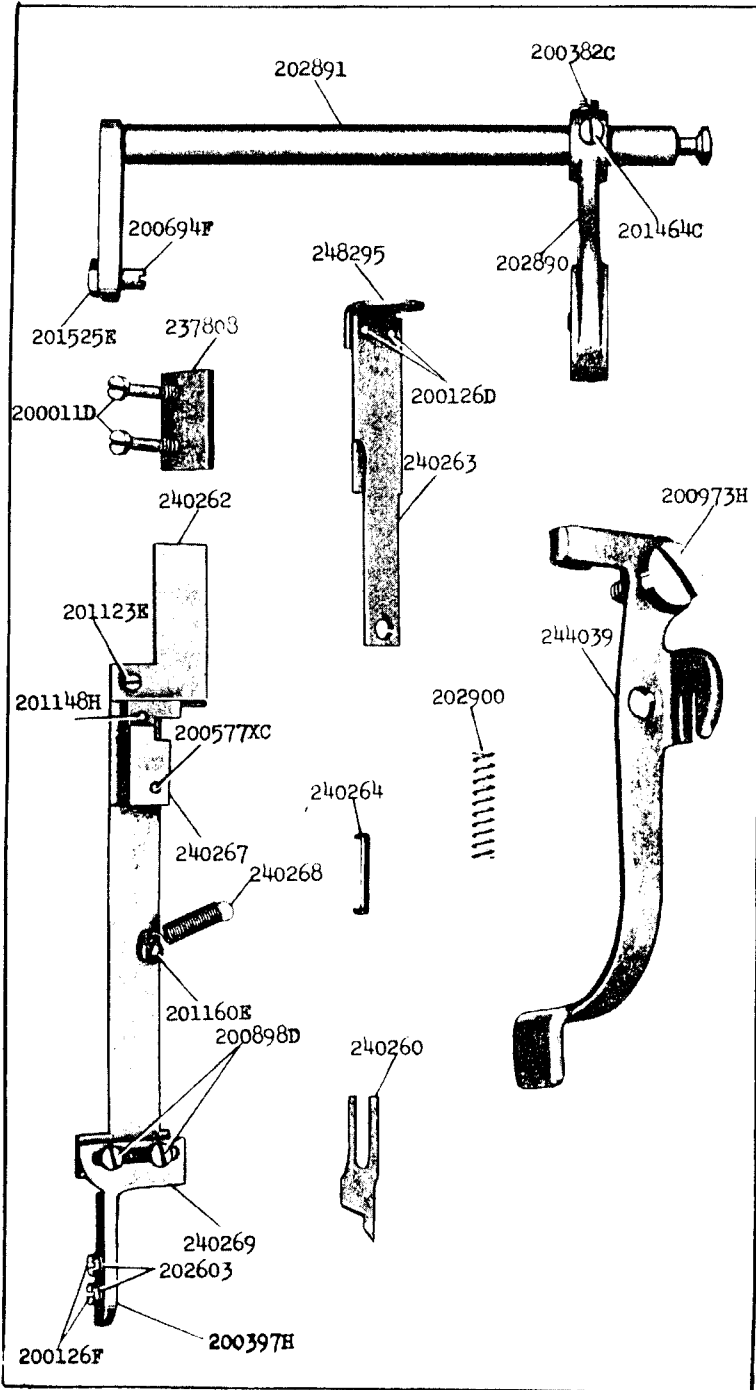
16646 - 3/8



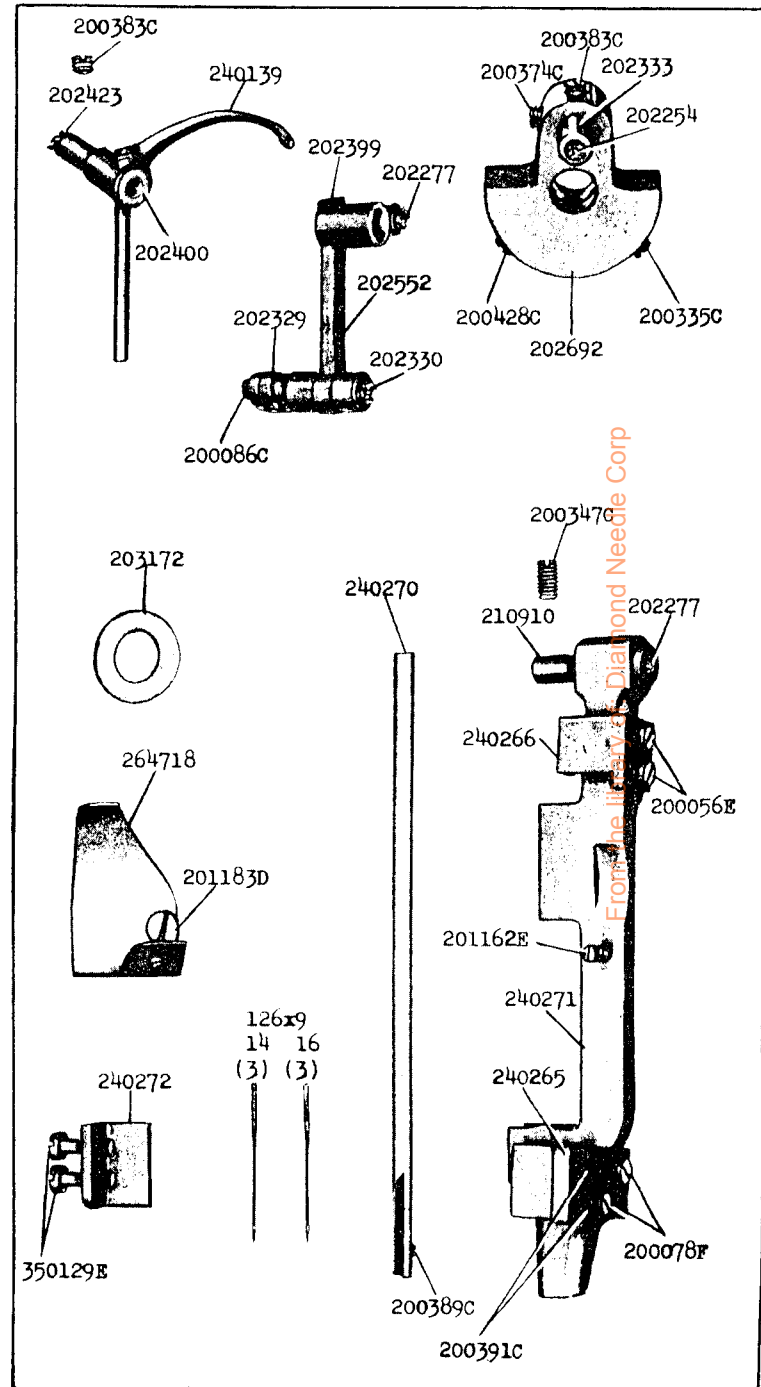
16647 - 3/8



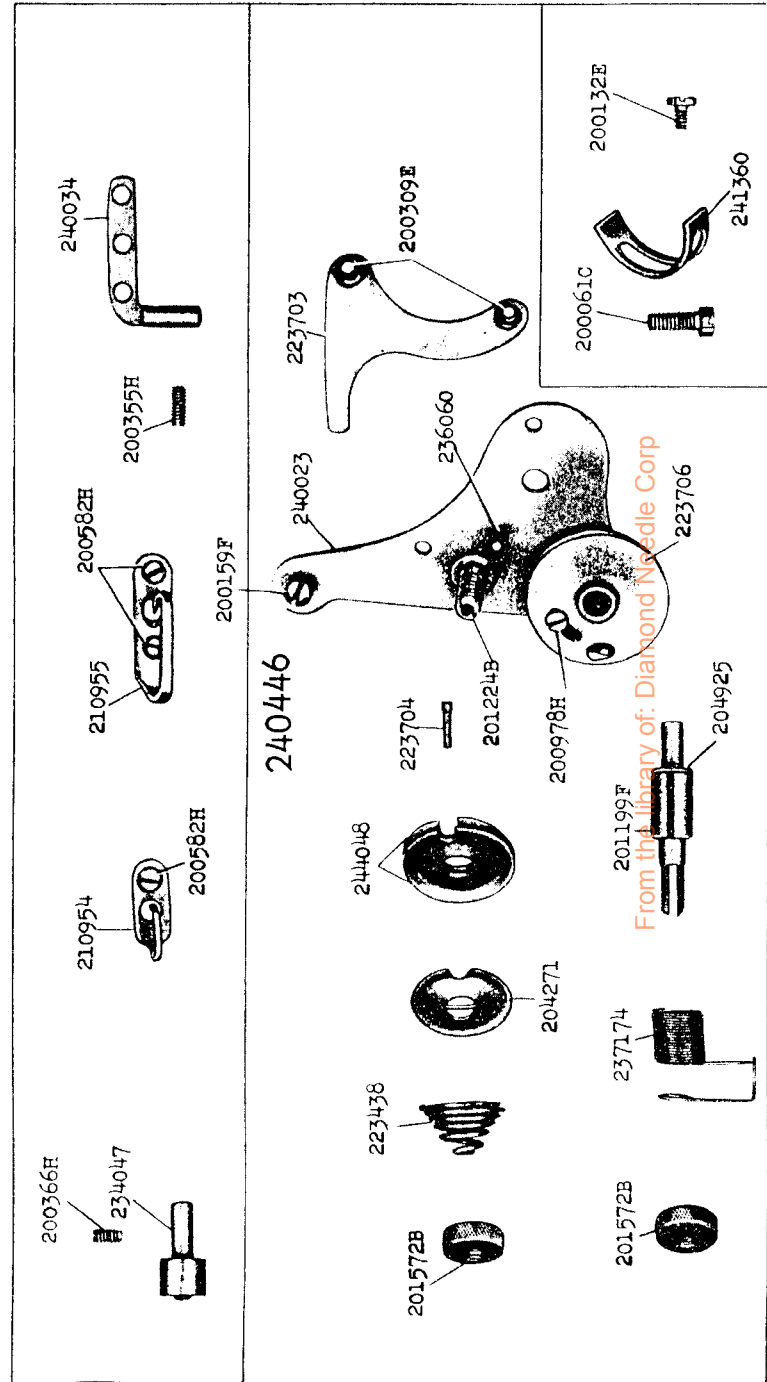
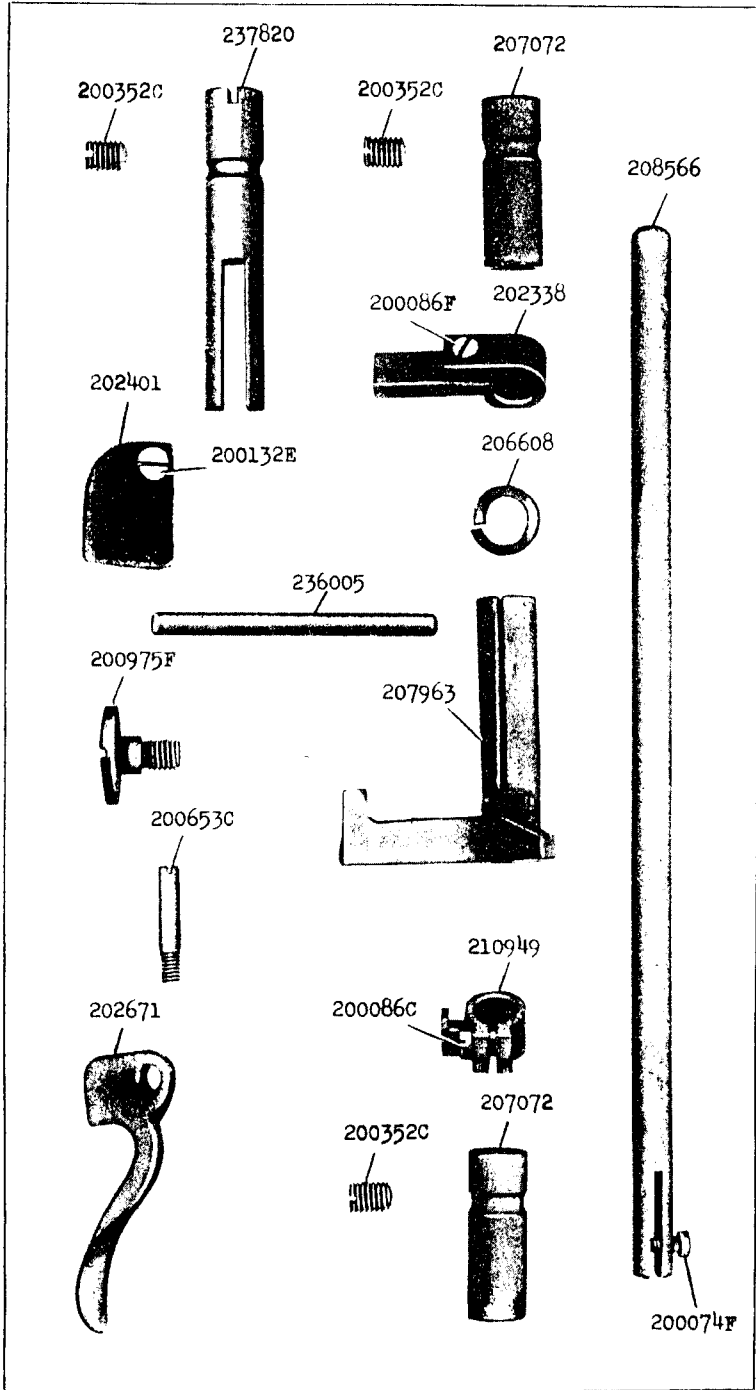
16648 - 1/2



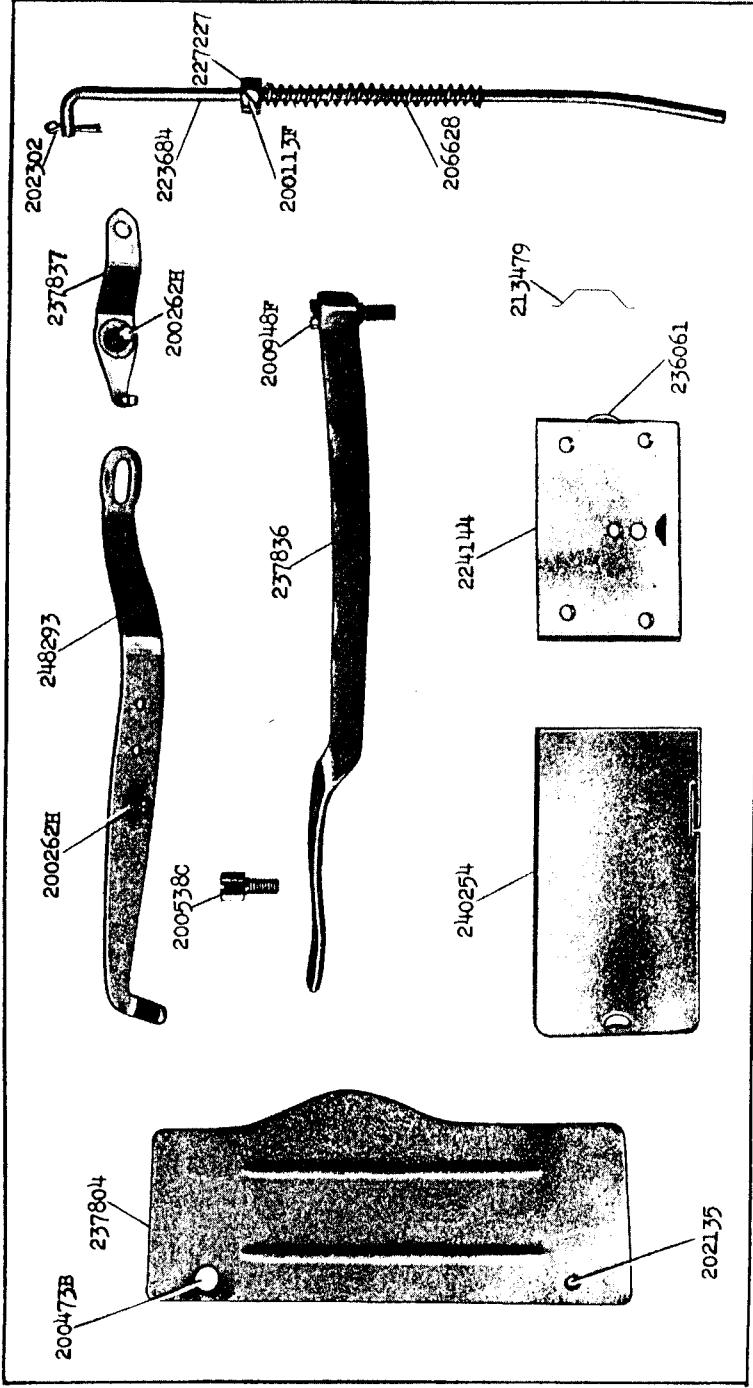
16649 - 1/2



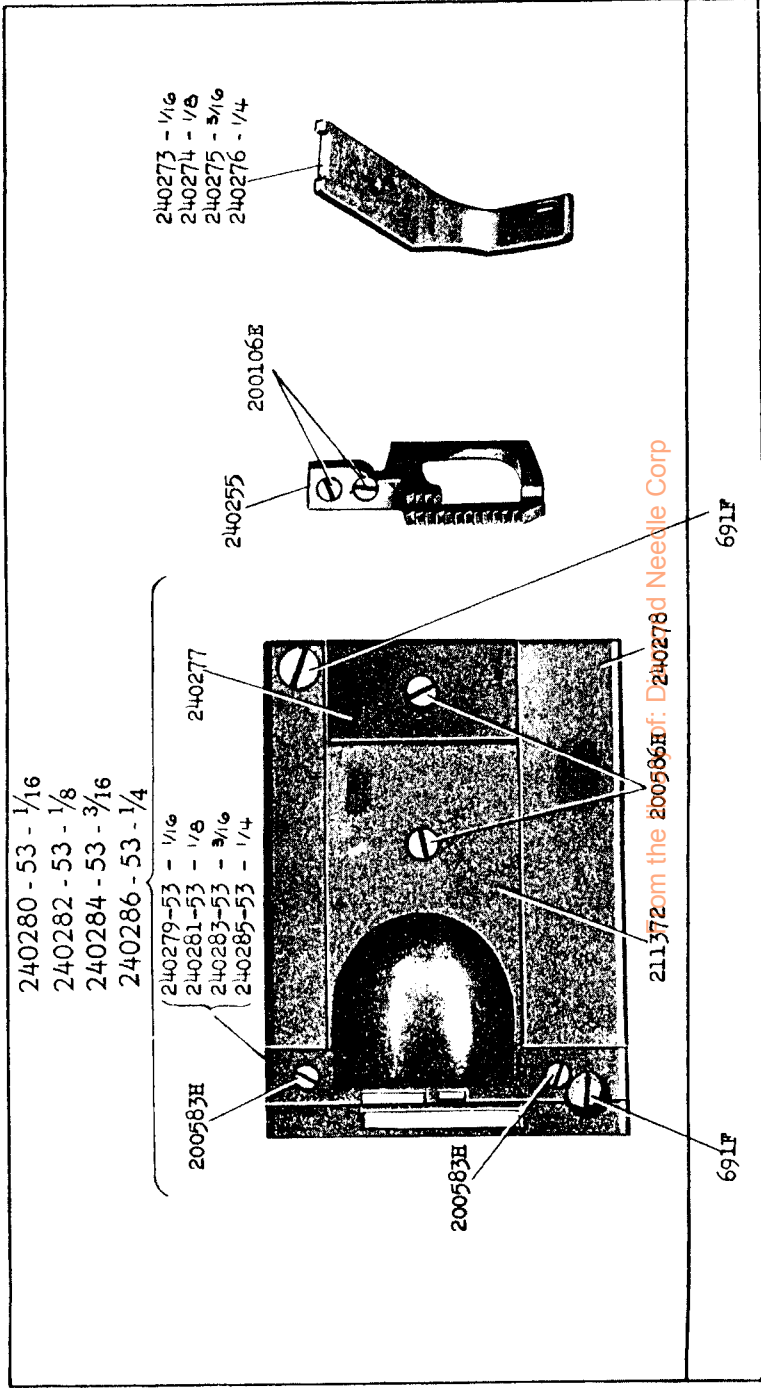
From the library of Diamond Needle Corp



16652 - 3/8



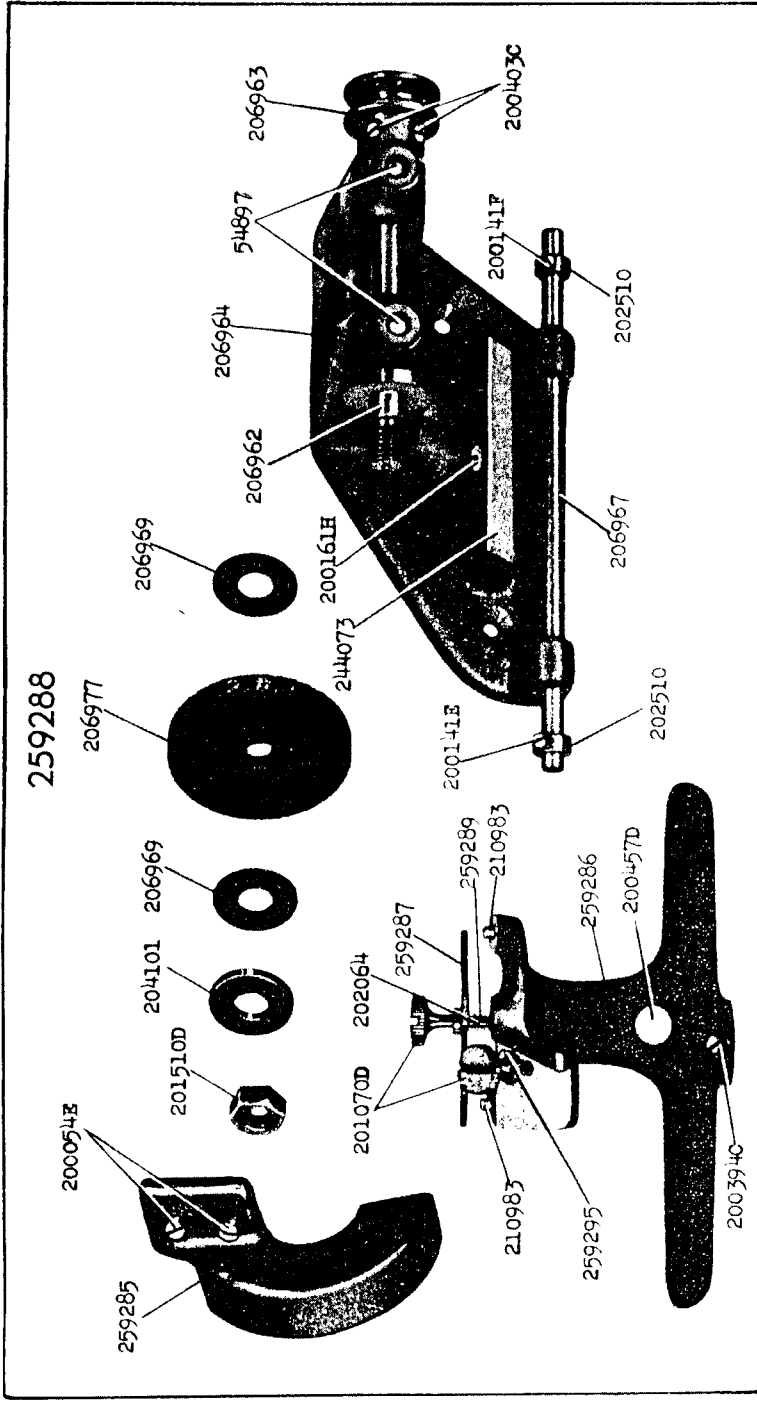
16653 - 3/4



691F

691F

16660 - 1/2



Z 676 w1 . A 2

From the library of: Diamond Needle Corp